



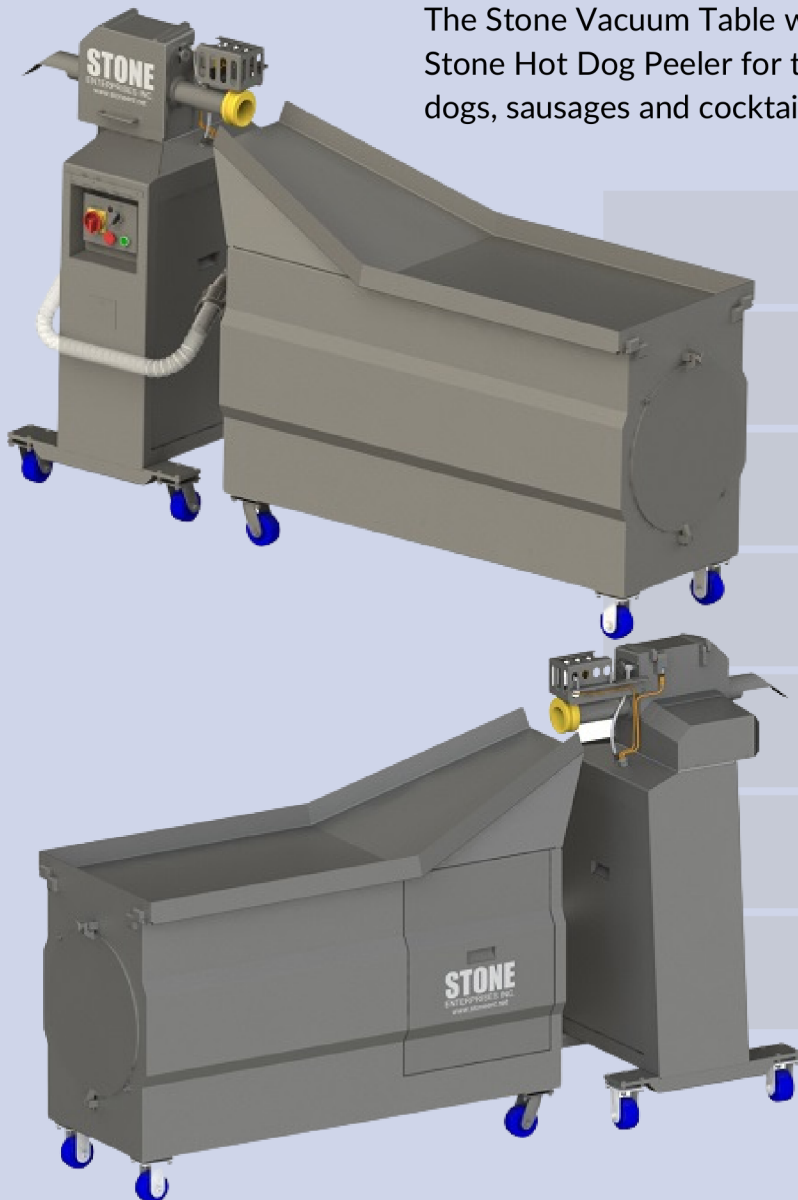
# STONE

ENTERPRISES, INC.

REPLACEMENT PARTS | EQUIPMENT | INTERGRATION

# Stone Hot Dog Peeler and Vacuum Table

The Stone Vacuum Table was designed to be used in conjunction with the Stone Hot Dog Peeler for the removing of the inedible casings from hot dogs, sausages and cocktail weenies.



Features on the Hot Dog Peeler include open design for easy and quick cleaning.

Manufactured with 300 series stainless steel. The Vacuum Table includes 12 gage 304 stainless steel TIG welded body

5 horse power fully wash down motor.

Vacuum table for stand-alone operation independent of plant vacuum systems.

Built-in 180 cfm vacuum blower to create suction for spent casings.

Large 27"x51" table top, with a 66 cubic inch waste chamber.

Manufactured and designed with endurance, sanitation, maintenance ease and production needs in mind.

PROUDLY MANUFACTURED IN THE USA  
100% SATISFACTION GUARANTEED

FOR A COMPLETE LISTING OF PARTS & EQUIPMENT:  
[www.StoneEnt.net](http://www.StoneEnt.net) | (877) 653-0500